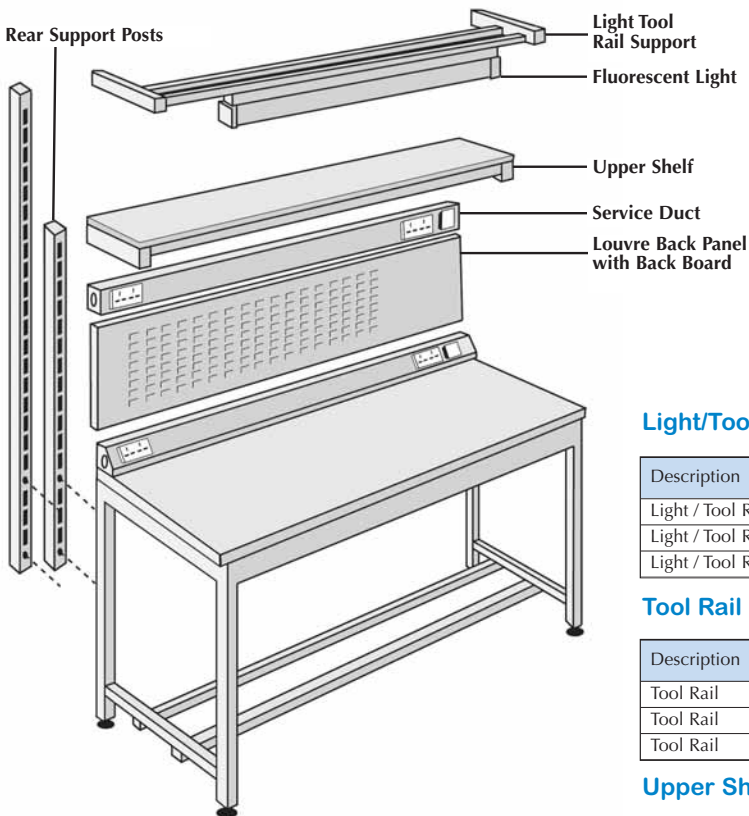


# Premium Height Adjustable Workbench - Accessories

## Premium Height Adjustable Workbench - Accessories



### Rear Support Posts

Description	Height Above Surface	Code	Price
Pair of Rear Support Posts	760mm	QL17	£53.16
Pair of Rear Support Posts	1180mm	QL180	£64.33

### Louvre Back Panel: 480mm high - Painted

Description	Length	Code	Price
Louvre Back Panel	1200mm	QL151P	£102.40
Louvre Back Panel	1500mm	QL155P	£112.64
Louvre Back Panel	1800mm	QL154P	£124.93

### Combi Panel: Louvre/Clips - Painted

Description	Length	Code	Price
Combi Panel: Louvre / Clips	1200mm	QL6312P	£102.40
Combi Panel: Louvre / Clips	1500mm	QL6315P	£112.64
Combi Panel: Louvre / Clips	1800mm	QL6318P	£124.93

### Storage Bin Rails

Description	Length	Code	Price Each
Storage Bin Rail	1200mm	QL15R4	£41.98
Storage Bin Rail	1500mm	QL15R5	£50.18
Storage Bin Rail	1800mm	QL15R6	£58.37

### Cabinets and Drawers

Size W x D: 420 x 420mm



Description	Code + Suffix	Price
Single Drawer - 220mm High	QL19	£122.40



Description	Code + Suffix	Price
Three Drawer - 435mm High	QL19T	£232.42



Description	Code + Suffix	Price
Cupboard 435mm High	QL21	£109.66

### Fluorescent Light

Description	Length	Code	Price
Fluorescent Light	1200mm	QL11	£31.74

### Category 2 Light

Description	Length	Code	Price
Category 2 Light	1200mm	QL112	£98.30

### Shelf Backstop: 50mm deep

Description	Length	Code	Price
Shelf Backstop	1200mm	QL141	£22.07
Shelf Backstop	1500mm	QL145	£25.04
Shelf Backstop	1800mm	QL146	£29.78

### Light/Tool Rail Support

Description	Length	Code	Price
Light / Tool Rail Support	1200mm	QL121	£55.30
Light / Tool Rail Support	1500mm	QL125	£59.39
Light / Tool Rail Support	1800mm	QL124	£61.44

### Tool Rail

Description	Length	Code	Price
Tool Rail	1200mm	QTR12	£70.66
Tool Rail	1500mm	QTR15	£81.92
Tool Rail	1800mm	QTR18	£92.16

### Upper Shelf: 300mm

Length	Material	Code	Price
1200mm	MFC Board	QL13B	£71.91
1200mm	Laminate	QL13L	£74.71
1500mm	MFC Board	QL13B5	£86.13
1500mm	Laminate	QL13L5	£89.01
1800mm	MFC Board	QL14B	£97.97
1800mm	Laminate	QL14L	£105.48

### Service Ducts: Support Post Fitting

Description	Length	Code	Price
Service Ducts: Support Fit	1200mm	QL24R1	£94.21
Service Ducts: Support Fit	1500mm	QL24R5	£97.28
Service Ducts: Support Fit	1800mm	QL24R4	£99.33

### Service Ducts: Worktop Fitting

Description	Length	Code	Price
Service Ducts: Worktop Fit	1200mm	QL241	£86.02
Service Ducts: Worktop Fit	1500mm	QL245	£88.06
Service Ducts: Worktop Fit	1800mm	QL244	£92.16

### Drawer / Door Colours

#### FRAMEWORK

LIGHT GREY

#### DRAWER / DOOR FRONT COLOUR OPTIONS

GREEN = GN

DARK GREY = DG

BLUE = BE

RED = RD

Add Suffix to Drawer / Cupboard Unit Code.  
i.e. QL19 with Red Door:  
QL19+RD = QL19RD